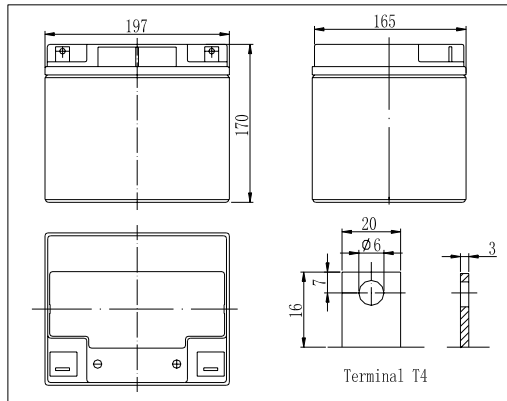
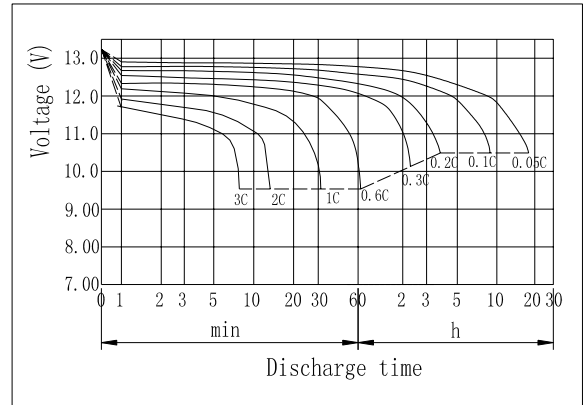


Dimensions



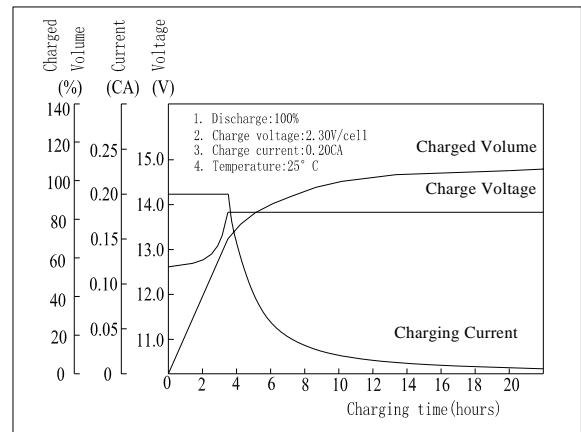
Discharge Characteristics(25°C)



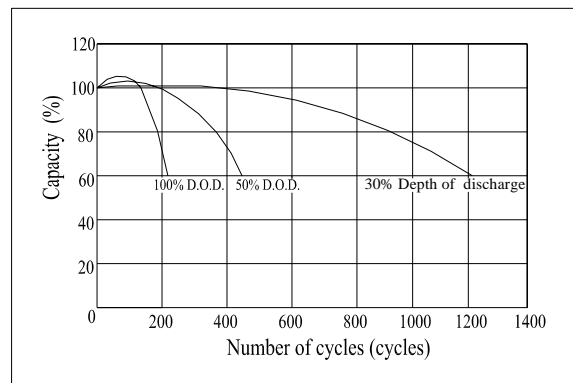
Specifications

Nominal Voltage		12 V
Capacity		48Ah
Dimension	Length	197mm (7.76inch)
	Width	165mm (6.50inch)
	Height	170mm (6.69inch)
	Total Height	170mm (6.69inch)
Approx. Weight		14.5kg (32.0lbs)
Internal resistance (Fully charged, 25°C)		Approx.7.5m Ω
Capacity affected by temperature (10HR)	40°C	102%
	25°C	100%
	0°C	85%
	-15°C	65%
Self-discharge (25°C)	3 month	Remaining Capacity: 91%
	6 month	Remaining Capacity: 82%
	12 month	Remaining Capacity: 65%
Nominal operating temperature		25°C ± 3°C (77°F ± 5°F)
Operating temperature range		-15°C ~ 50°C (5°F ~ 122°F)
Float charging voltage(25°C)		13.50 to 13.80V
Cyclic charging voltage(25°C)		14.50 to 14.90V
Maximum charging current		14.4A
Terminal material		Copper
Maximum discharge current		480A(5 sec.)

Charging Characteristics(25°C)



Cycle Life(25°C)



- ◆ Absorbent glass mat technology;
- ◆ Recognized by UL & CE;
- ◆ Flame retardant ABS container (UL94V-0/ 94V-2).

Note: Floating life at 25°C designed for 7 to 10 years.

Constant Current Discharge Characteristics (A, 25°C)

F.V/TIME	5min	10min	15min	30min	60min	3h	5h	10h	20h
9.60V	146	97.2	79.2	48.0	30.2	11.6	8.22	4.53	2.27
10.2V	139	92.3	76.0	46.0	29.0	11.5	8.10	4.52	2.27
10.8V	130	86.8	72.2	43.5	27.6	11.2	7.94	4.50	2.26

Constant Power Discharge Characteristics (Watt, 25°C)

F.V/TIME	5min	10min	15min	30min	60min	3h	5h	10h	20h
9.60V	1533	1050	870	538	345	137	97.2	54.4	27.2
10.2V	1456	997	835	516	331	135	95.7	54.2	27.2
10.8V	1369	937	793	488	314	132	93.8	54.0	27.1