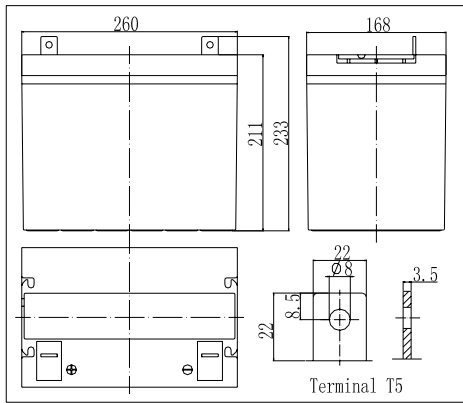
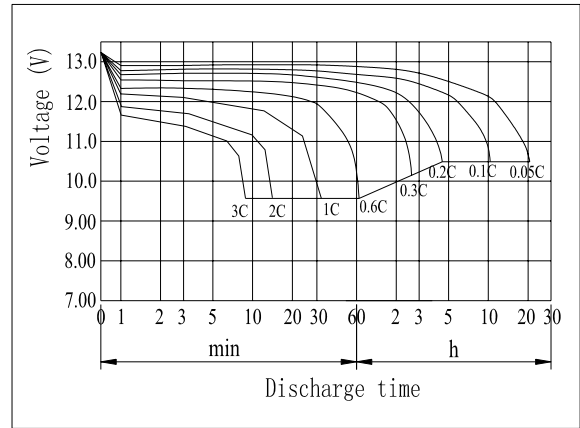


Dimensions



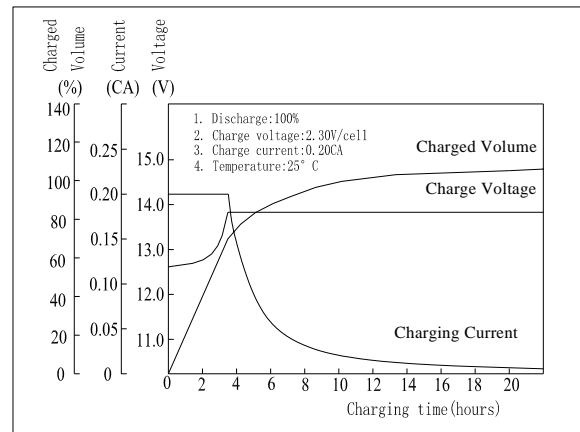
Discharge Characteristics(25°C)



Specifications

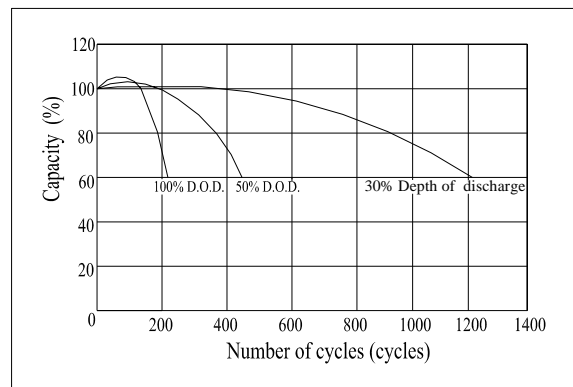
Nominal Voltage	12 V	
Capacity(10HR, 25°C)	70Ah	
Dimension	Length	260mm (10.24inch)
	Width	168mm (6.61inch)
	Height	211mm (8.31inch)
	Total Height	233mm (9.17inch)
Approx. Weight	24.0kg (52.9lbs)	
Internal resistance (Fully charged, 25°C)	Approx.5.5mΩ	
Capacity affected by temperature (10HR)	40°C	102%
	25°C	100%
	0°C	85%
	-15°C	65%
Self-discharge (25°C)	3 month	Remaining Capacity: 91%
	6 month	Remaining Capacity: 82%
	12 month	Remaining Capacity: 65%
Nominal operating temperature	25°C ± 3°C (77°F ± 5°F)	
Operating temperature range	-15°C ~ 50°C (5°F ~ 122°F)	
Float charging voltage(25°C)	13.50 to 13.80V	
Cyclic charging voltage(25°C)	14.50 to 14.90V	
Maximum charging current	21A	
Terminal material	Copper	
Maximum discharge current	700A(5 sec.)	

Charging Characteristics(25°C)



- ◆ Absorbent glass mat technology;
- ◆ Recognized by UL & CE;
- ◆ Flame retardant ABS container (UL94V-0/ 94V-2).

Cycle Life(25°C)



Note: Floating life at 25°C designed for 7 to 10 years.

Constant Current Discharge Characteristics (A, 25°C)

F.V/TIME	5min	10min	15min	30min	60min	3h	5h	10h	20h
9.60V	215	145	120	69.0	45.0	17.2	12.1	7.05	3.62
10.2V	204	138	115	66.2	43.2	17.0	12.0	7.03	3.62
10.8V	192	129	109	62.9	41.1	16.7	11.8	7.00	3.60

Constant Power Discharge Characteristics (Watt, 25°C)

F.V/TIME	5min	10min	15min	30min	60min	3h	5h	10h	20h
9.60V	2258	1566	1318	774	513	202	143	84.2	43.4
10.2V	2145	1488	1265	743	492	200	142	83.9	43.4
10.8V	2016	1398	1202	706	468	196	140	83.5	43.2